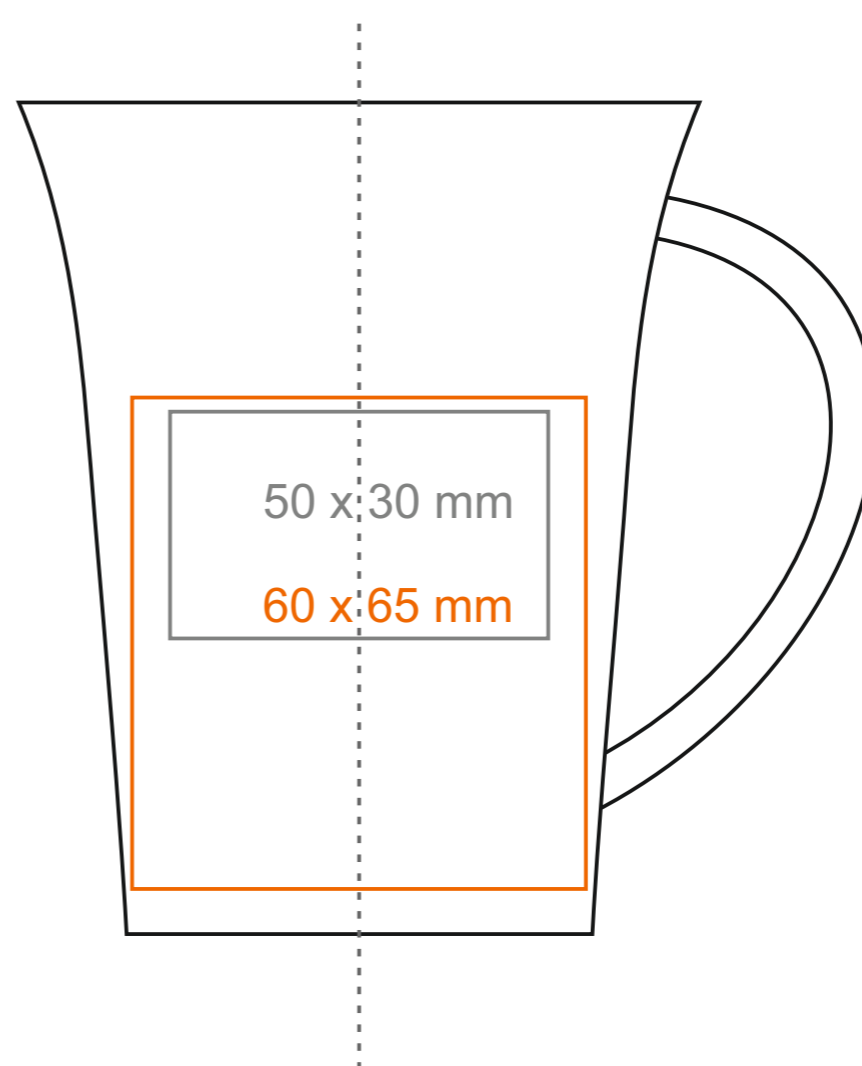
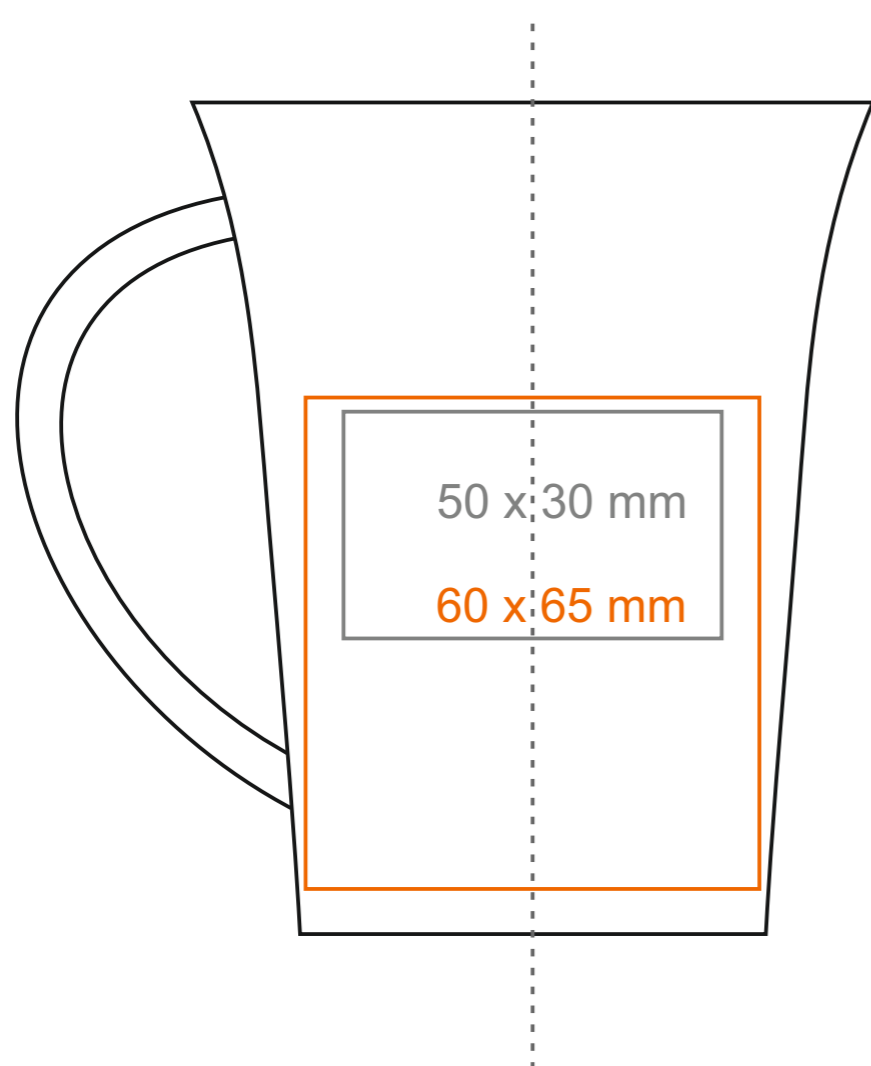
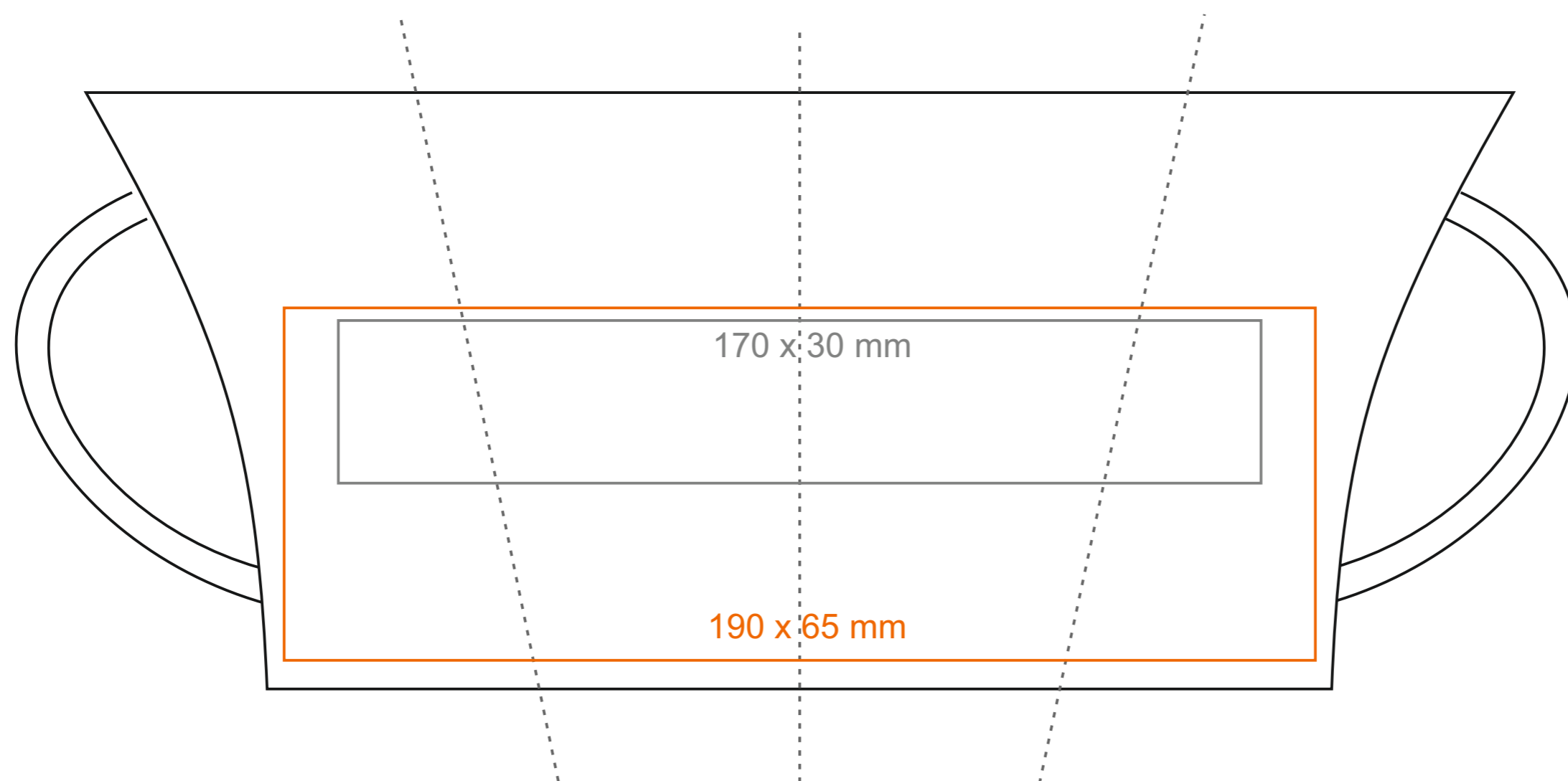


# M\_123 Trend

350 ml / h: 110 mm / Ø 90 mm



Imprint on the handle  
 Imprint on the inside  
 Imprint on the bottom inside  
 Imprint on the bottom outside

- 80 x 15 mm
- 40 x 20 mm
- Ø 30 mm
- Ø 40 mm

\*In the case of projects for transfer print running outside of the standard print area, please contact our sales department.

[How to prepare print material](#)

meaning

- Transfer Print
- Sensitive Touch
- Direct Print