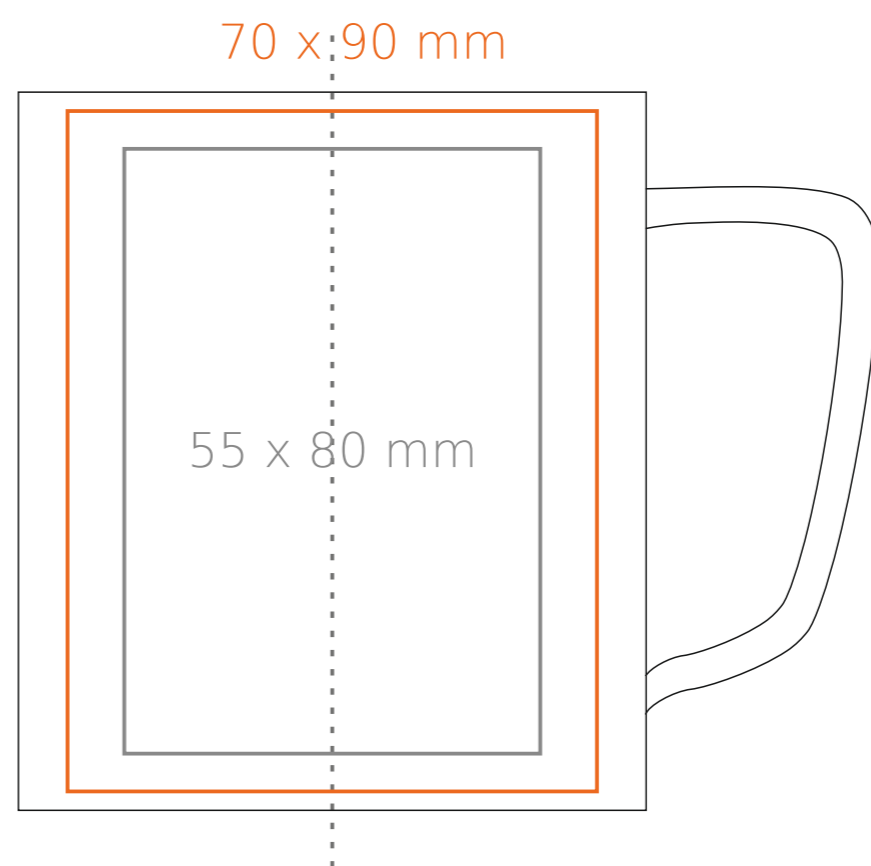
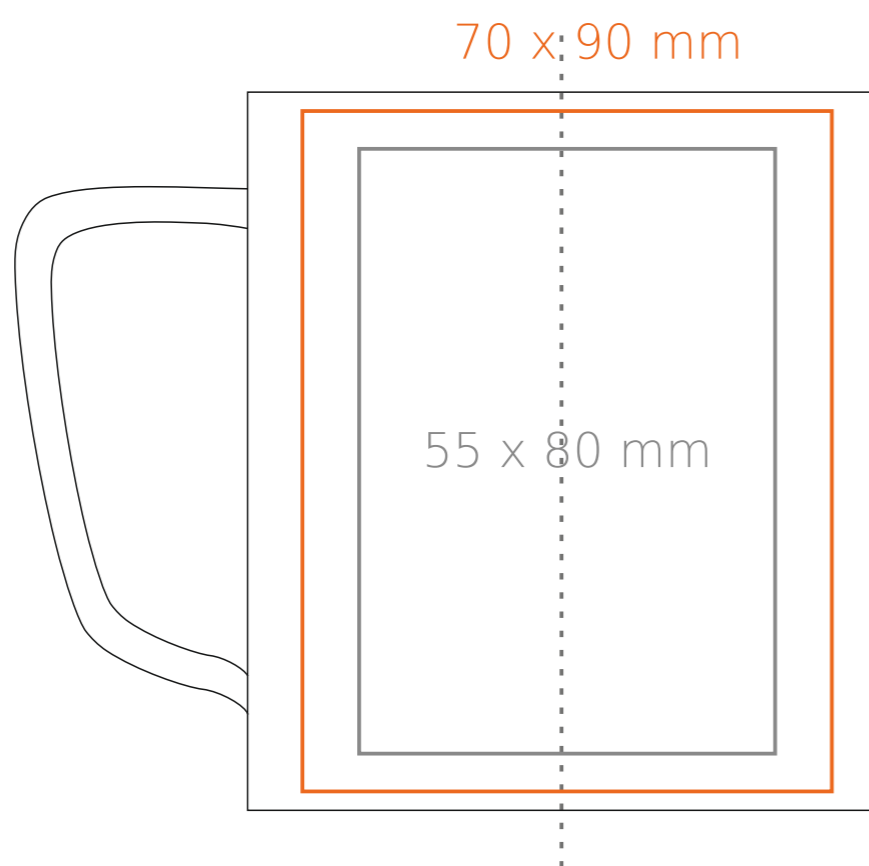
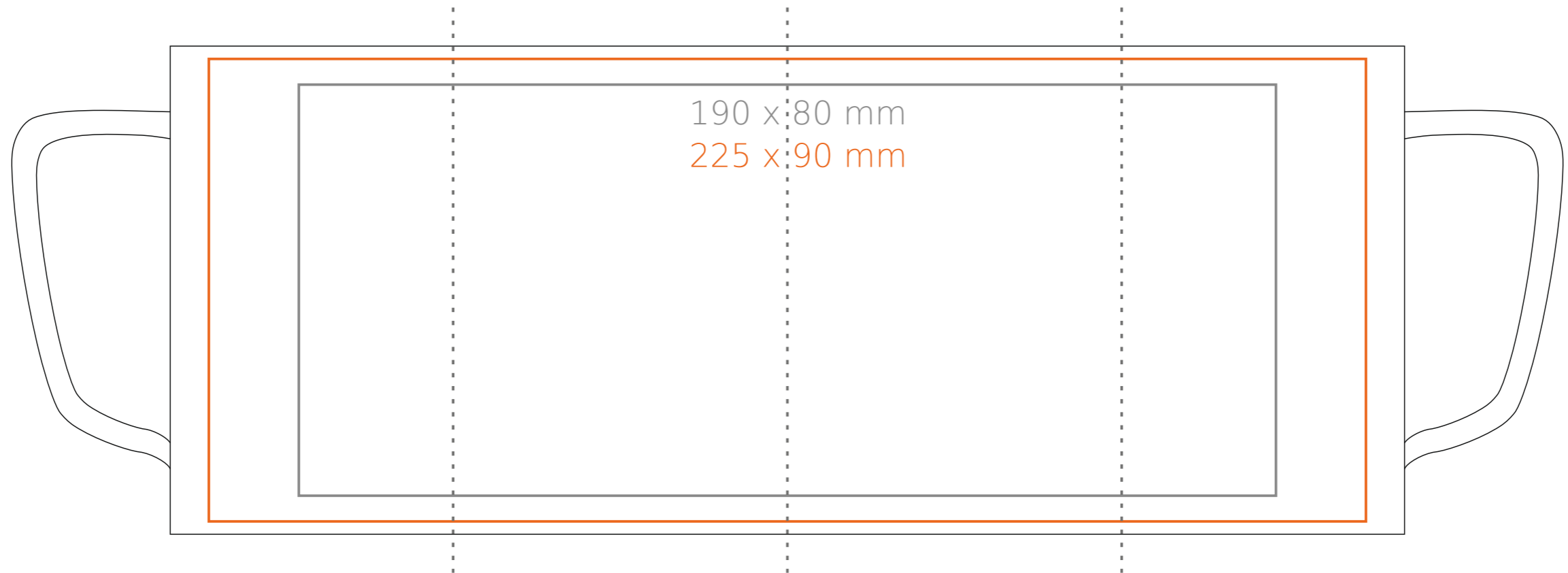


# M\_469 Tommy duo

310 ml / h: 95 mm / Ø 83 mm



- |                               |              |
|-------------------------------|--------------|
| Imprint on the handle         | - 50 x 10 mm |
| Imprint on the inside         | - 40 x 20 mm |
| Imprint on the bottom inside  | - Ø 30 mm    |
| Imprint on the bottom outside | - Ø 55 mm    |

\*In the case of projects for transfer print running outside of the standard print area, please contact our sales department.

[How to prepare print material](#)

meaning

-  Transfer Print
-  Sensitive Touch
-  Direct Print