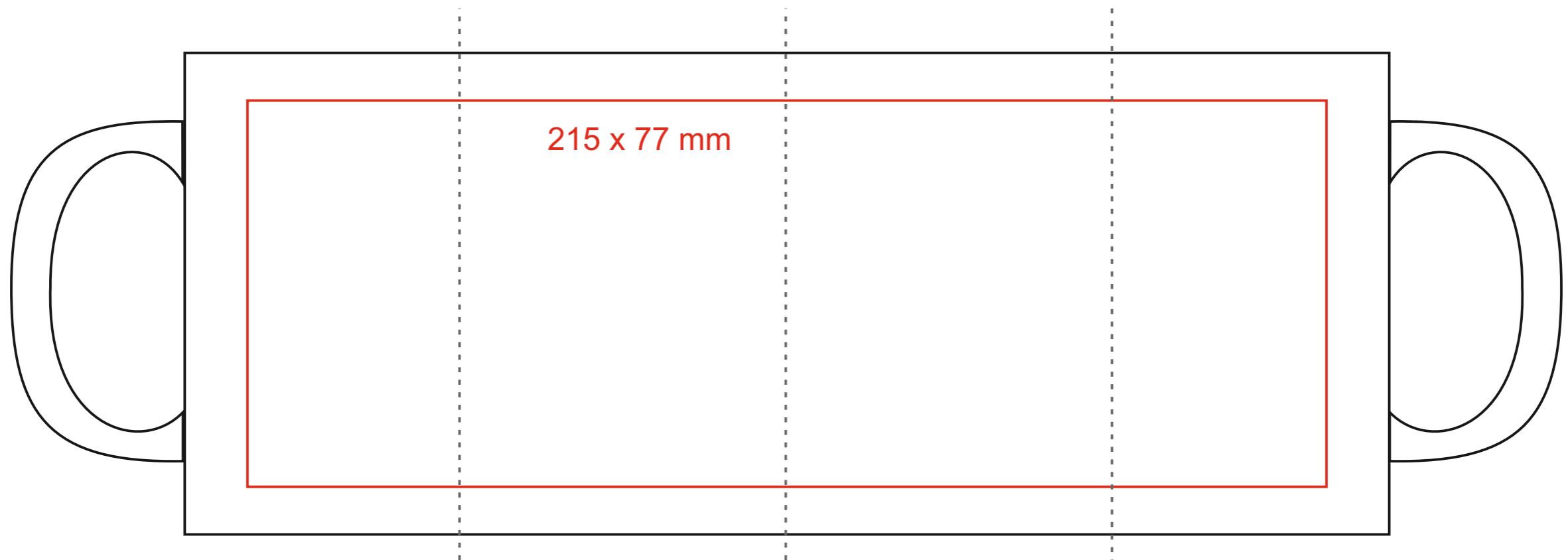


M_521 Tomek Art. Glow

320 ml / h: 95 mm / Ø 81 mm



[How to prepare print material](#)

meaning

— Sublimation printing, digital quality (maximum area printing)